

Advanced Pulse WattNode - Option P3

Per-Phase Outputs

This model has three pulse streams: P1, P2, and P3. Each pulse stream generates pulses in proportion to the real positive energy measured on one phase (phases A, B, and C respectively).

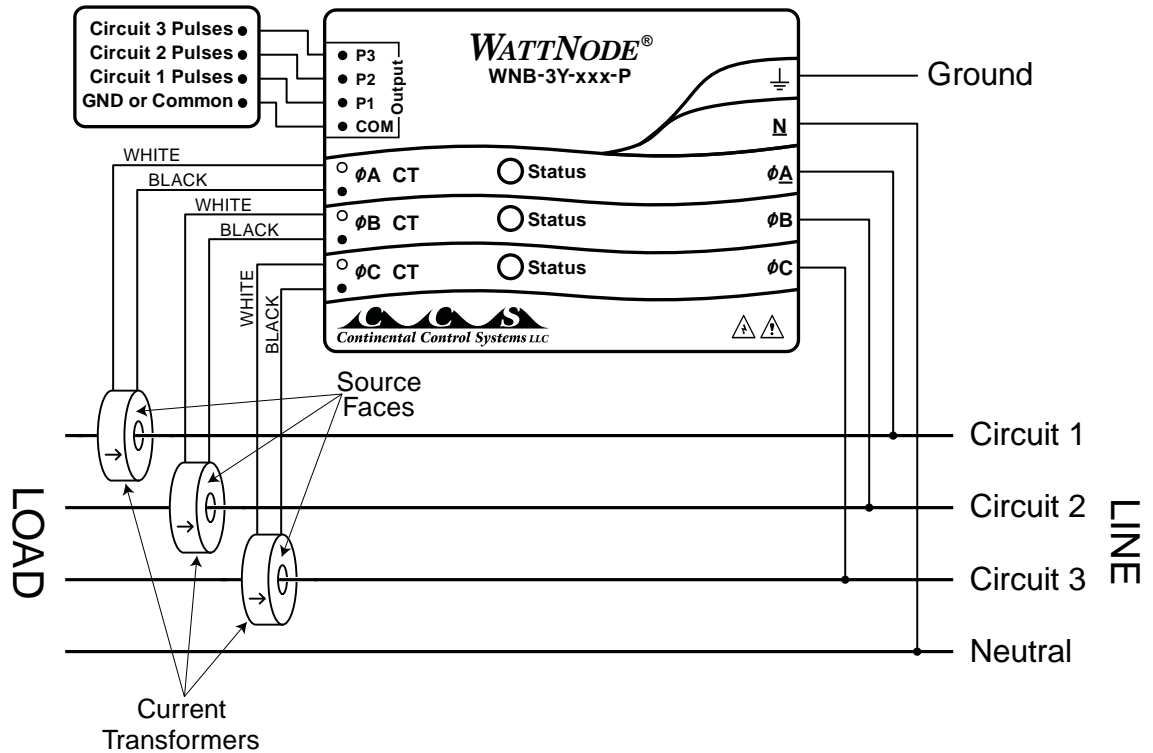


Figure 1: Option P3 (Circuits on different phases)

Same Phase Outputs

This model has three pulse streams: P1, P2, and P3. Each pulse stream generates pulses in proportion to the real positive energy measured on each circuit.

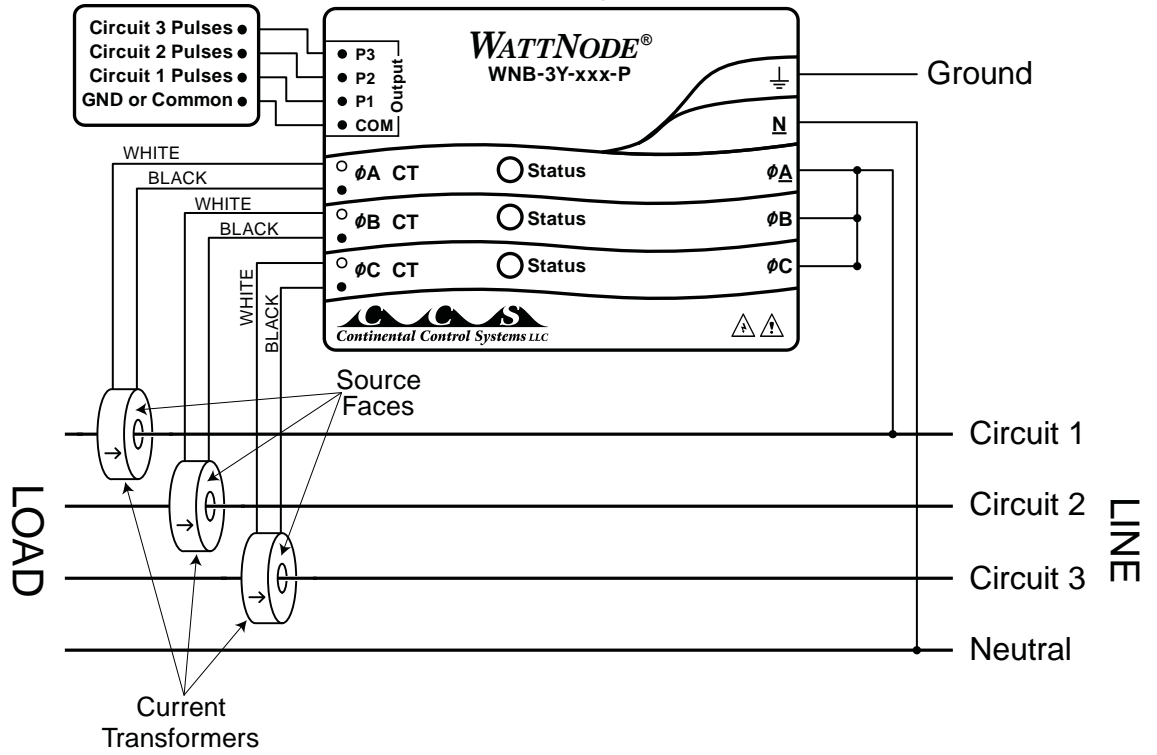


Figure 2: Option P3 (Circuits on same phase)

Scale Factors: Per-Phase Outputs

The following table provides scale factors for **Option P3** WattNode models with a full-scale pulse output frequencies of 4.00 Hz for each phase. Note: with **Option P3**, different phases can use different CTs with different rated currents.

CT Size (amps)	Pulses Per kilowatt-hour (PpKWH)				Watt-hours per pulse (WHpP)			
	3Y-208 3D-240	3Y-400 3D-400	3Y-480 3D-480	3Y-600	3Y-208 3D-240	3Y-400 3D-400	3Y-480 3D-480	3Y-600
5	24000.0	12521.7	10397.1	8299.71	0.042	0.080	0.096	0.120
15	8000.00	4173.91	3465.70	2766.57	0.125	0.240	0.289	0.361
30	4000.00	2086.96	1732.85	1383.29	0.250	0.479	0.577	0.723
50	2400.00	1252.17	1039.71	829.971	0.417	0.799	0.962	1.205
60	2000.00	1043.48	866.426	691.643	0.500	0.958	1.154	1.446
70	1714.29	894.410	742.651	592.837	0.583	1.118	1.347	1.687
100	1200.00	626.087	519.856	414.986	0.833	1.597	1.924	2.410
150	800.000	417.391	346.570	276.657	1.250	2.396	2.885	3.615
200	600.000	313.043	259.928	207.493	1.667	3.194	3.847	4.819
250	480.000	250.435	207.942	165.994	2.083	3.993	4.809	6.024
300	400.000	208.696	173.285	138.329	2.500	4.792	5.771	7.229
400	300.000	156.522	129.964	103.746	3.333	6.389	7.694	9.639
600	200.000	104.348	86.643	69.164	5.000	9.583	11.542	14.458
800	150.000	78.261	64.982	51.873	6.667	12.778	15.389	19.278
1000	120.000	62.609	51.986	41.499	8.333	15.972	19.236	24.097
1200	100.000	52.174	43.321	34.582	10.000	19.167	23.083	28.917
1500	80.000	41.739	34.657	27.666	12.500	23.958	28.854	36.146
2000	60.000	31.304	25.993	20.749	16.667	31.944	38.472	48.194
3000	40.000	20.870	17.329	13.833	25.000	47.917	57.708	72.292
any	<u>120.000</u> <i>CTsize</i>	<u>62.609</u> <i>CTsize</i>	<u>51.986</u> <i>CTsize</i>	<u>41.499</u> <i>CTsize</i>	<u>CTsize</u> 120.0	<u>CTsize</u> 62.609	<u>CTsize</u> 51.986	<u>CTsize</u> 41.499

Table 1: Scale Factors - Per-Phase Outputs (Option P3)

